

CHRYSALIS Ceiling Light

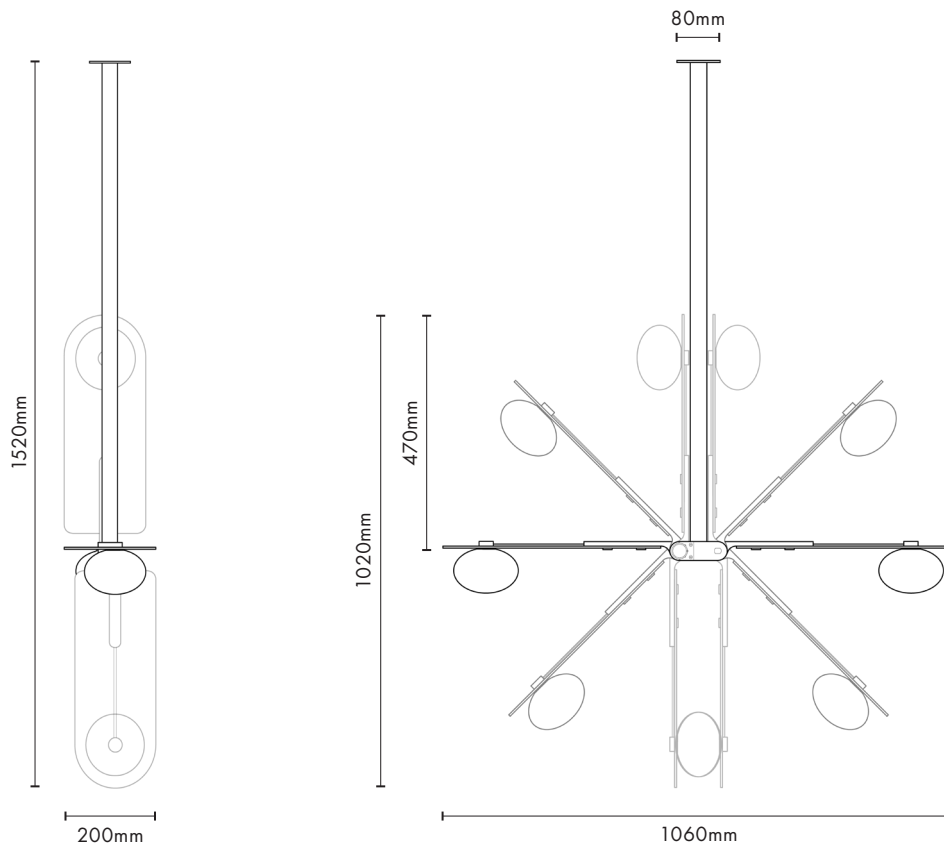
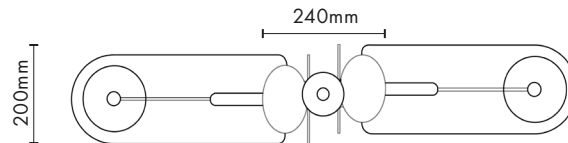
0-180 Degree Full Movement in Honey Amber & Brushed Aluminium Finish



CHRYSALIS encapsulates transformation and connection. Meticulously designed and crafted, this suspended ceiling light fixture symbolises personal growth and spiritual awakening. The designer, Riya Panchal, delves into the theme of 'connections in life,' honouring the memory of a loved one and beautifully highlighting the profound impact of changes in our lives.

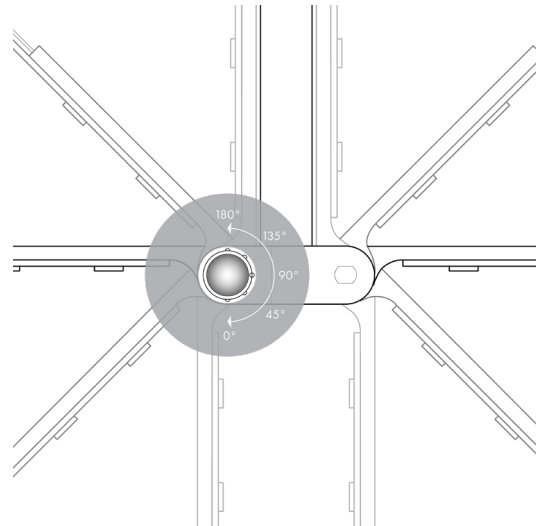
The fixture's innovative design features adjustable ombre coloured flat glass wings and a custom built push-button mechanism, enabling seamless 45-degree adjustments across a 180-degree span, creating 24 distinct configurations. Through its expansive nature, adaptable light direction and thoughtful colour palette, CHRYSALIS becomes a versatile lighting solution for various settings, creating desired effects. The warm hues seamlessly merge to produce a mesmerising ombre effect and evoke a sense of wonder, mirroring the kaleidoscope of emotions experienced during times of profound growth.

CHRYSALIS offers the possession of a timeless piece of art that captures both the continuity of life and cherished memories. The fixture seamlessly blends artistry and symbolism, presenting a remarkable fusion of functionality and elegance.



CHRYSALIS Ceiling Light

0-180 Degree Full Movement in Honey Amber & Brushed Aluminium Finish



Product Code

C_CL_CHRY_BrusA_01

Materials

Custom-cut Toughened Glass Pane, Blown Glass and Aluminium

Available Finishes

Metal:

Black Anodised Aluminium and Brushed Aluminium

Ombre Glass Pane:

Honey Amber, Regal Blue, Fern Green, Cloud Grey

Ellipsoid Orb:

Opal White

Dimensions

W 1060mm x H 1520mm

W 41.73in x H 59.84in

Weight

Approx. 6.5kg

Suspension Stem

Ships with 1000mm/39.38in Standard Suspension Stem

(Additional stem attachments are available upon request, starting from 500mm/19.68in in length, which can be cut to size and machined at the studio)

Lamping

Lamp Type: 2 x G9 LED Bulb (Supplied)

Power Consumption: 8W (4W per light source)

Temperature: 3000K (Warm White)

Lumens: 840lm

Colour Rendering Index RI: ≥ 90 CRI

Mains Connection: 220-240V, On-Off - Dimmable

Movement Span

0-180 Degrees at uniform 45 Degree Intervals

Certification



Designed By

Riya Panchal Year 2023

Design Notes

The ombre glass pane and hand-blown ellipsoid orb may exhibit variations in shape, size, and colour due to the unique qualities of the material. As the pendant is substantial in weight, with purposeful metal attachments to support and balance it, we kindly request that you handle it with care and avoid any sudden movements.

Cleaning Notes

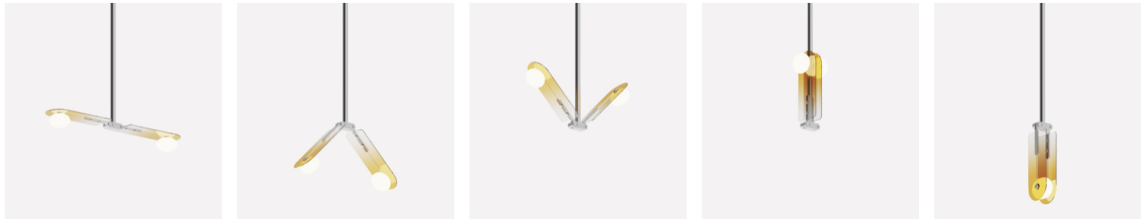
The fixture only requires regular cleaning with a soft dry duster. Abrasive or chemical cleaners may harm the finish and should not be used.

CHRYSALIS Ceiling Light

0-180 Degree Full Movement in Honey Amber & Brushed Aluminium Finish

All Configurations

This model exemplifies the fixture's complete potential, demonstrating its remarkable versatility. Set-angle versions derived from the configurations listed here are available, enquire for details at info@mesemestudio.com



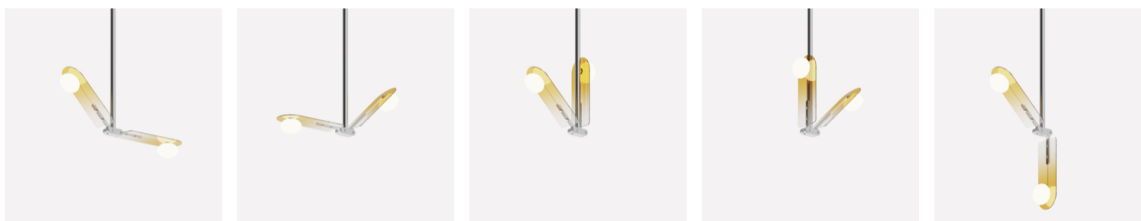
90° Both 45° Both 135° Both 180° Both 0° Both (Not Possible)



0°-90° Left Facing 0°-90° Right Facing 45°-135° Left Facing 45°-135° Right Facing 45°-0° Left Facing



90°-45° Left Facing 45°-90° Right Facing 45°-180° Left Facing 45°-180° Right Facing 0°-45° Right Facing



90°-135° Left Facing 90°-135° Right Facing 135°-180° Left Facing 135°-180° Right Facing 135°-0° Left Facing



90°-180° Left Facing 180°-90° Right Facing 0°-180° Left Facing 0°-180° Right Facing 0°-135° Right Facing